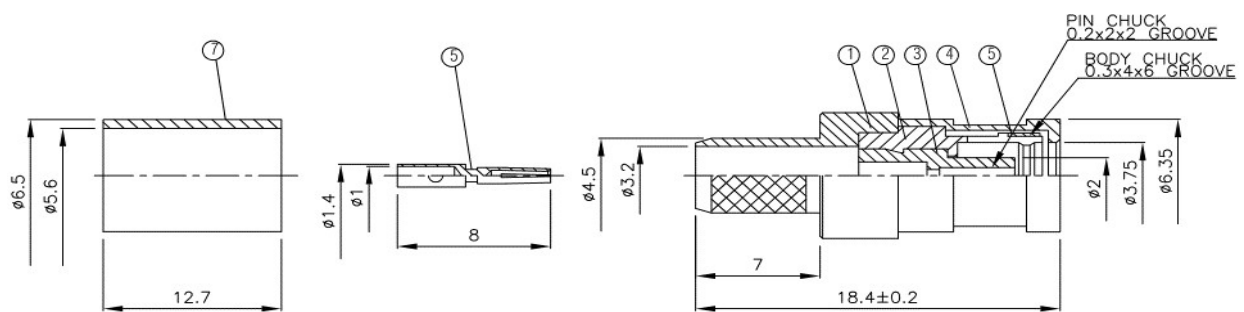
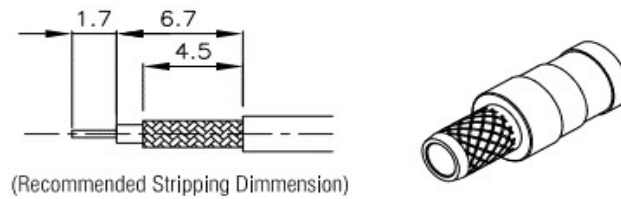


SB-1429

SMB Stecker Pin female crimp / RG58, RF195, HF50



| NO | DESCRIPTION | MATERIAL | Q' TY | FINISH |
|----|--------------|----------|-------|--------|
| 1 | BODY 1 | BRASS | 1 | GOLD |
| 2 | BODY 2 | BRASS | 1 | GOLD |
| 3 | INSULATION 1 | TEFLON | 1 | TEFLON |
| 4 | BODY 3 | BRASS | 1 | GOLD |
| 5 | PIN | BE CU | 1 | GOLD |
| 6 | WASHER | BRESS | 1 | GOLD |
| 7 | RING | BRASS | 1 | GOLD |